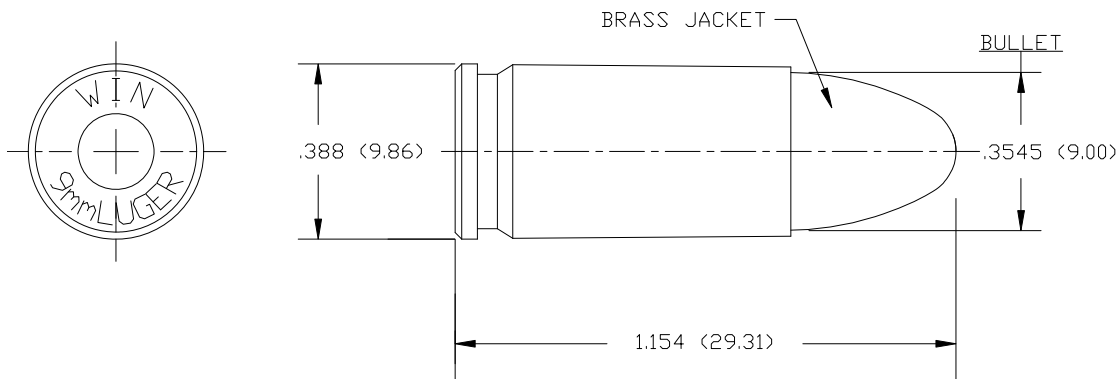




Winchester 9mm Luger (115) FMJ Paramilitary

- Symbol: **Q4172** – Winchester 9mm Luger (115) Full Metal Jacket Paramilitary
- Shellcase: 9mm Luger brass shellcase
- Bullet: 115 grain (7.5 gram) Full Metal Jacket
Brass jacket, lead core
Diameter .3545 inch (9.00 mm)
- Powder: Clean burning, low flash
- Primer: Winchester non-corrosive, boxer type
- Accuracy: Product Mean of 4.25 inches (10.8 cm) Extreme Spread
5 shot targets at 50 yards (45.7 m) from a 4 inch (10.2 cm) SAAMI test barrel
- Velocity: 1180 ft/sec (360 m/s) nominal at 15 ft (4.6 m)
Fired in a 4 inch (10.2 cm) SAAMI test barrel
- Energy: 355 ft-lb (481 joules)
- Pressure: 35,000 psi max. average (2,414 bars)
- Waterproofing: None

NOMINAL DIMENSIONS SHOWN



Q4172, USA9MMVP, WR9

Ref. WI 394